

Historic Resources Inventory

Property name, historic Dr. John Y. Murry House

Property name, common:

Street Address: 205 Jackson Street, North

Descriptive Location (Rural address):

Legal Description: Map 643-F, Block 79, Parcel 214

Former/Historic Use: Residential: single dwelling

Present Use: Residential: single dwelling

Date of Construction: c.1860

Date(s) of historic changes, if any:

Post-historic changes and date(s):

Architect:

Builder:

Brief Description:

Two-story, vinyl-sided with a hip roof of asphalt shingles on a brick foundation. There are 4 brick chimneys--the 2 on the N & S elevations have been rebuilt. The façade (E), which has 5 symmetrical bays, is dominated by a center hip 2-story porch on horrible metal, fluted columns with formed capitals and dentilled cornice. Under the porch, on the 2nd floor, is a single-leaf (obscured) with Doric pilasters and 4-light sidelights opening onto a shallow balcony with a metal balustrade. On the 1st floor, the main entrance is a panelled wood door (obscured) with Doric pilasters and 4-light sidelights. Flanking the porch are four, 6/6 wood-frame windows with applied shutters.

Outbuildings or secondary elements (if significant, use separate form)

Historical Information:



MDAH Inventory Code

County: Tippah

City: Ripley

USGS Quad map:

Survey Seq. #: 75

Ownership: Private

Interior surveyed? No

Integrity: Extensive changes

Style:

Form:

Sources: Sanborn maps, 1925, 1943. Southern Sentinel Feb 25, 1995, "The Builder of this Home was the (other) great-grandfather of William Faulkner" Tupelo Daily Journal, Mar 8, 1999, "The John Y. Murry House"

Contexts:

Owner:

Photographer: David Preziosi, MHT

Photo No/Date: 4496:9 / Aug 2004

Form by: Deborah Wise Oakley, MHT

Survey project: Ripley Survey

Form completed: 23 Jun 2004

Registration Status and Dates

NHL:

Listed NR:

Federal DOE:

District Name: Ripley

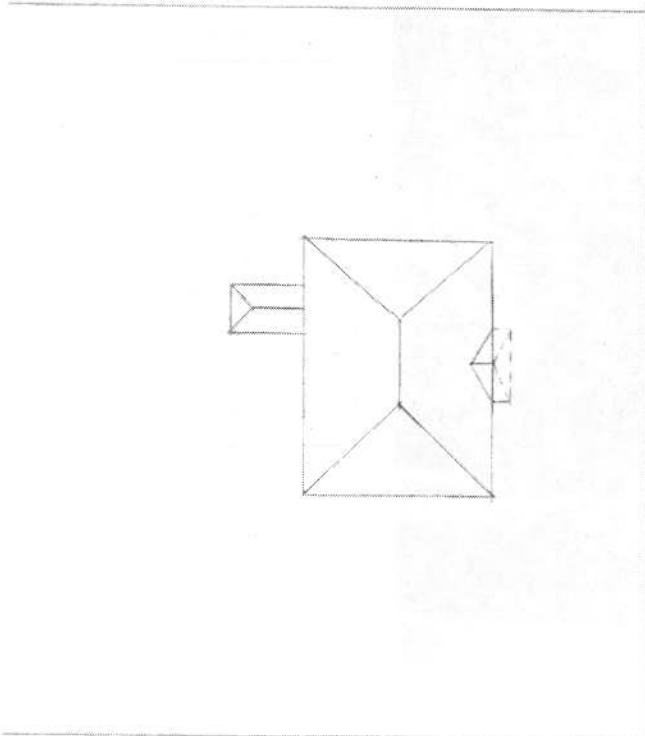
Contributing

Non-Contributing

Previously Listed

Element no. 75

WEST MULBERRY STREET



NORTH JACKSON STREET

WEST SPRING STREET

1
7